



EDI IMPLEMENTATION GUIDELINE

INVOIC V3 SELFBILLING

History of changes

Version	Date	Author	Reason of change	Chapter / Page
1.0	16/10/2007	J. Duroy	Initial version	

Send yours remarks to: supportedi@valeo.com

SOMMAIRE

1	THE SELFBILLING INVOIC MESSAGE	3
1	INTRODUCTION	3
2	STATUS	3
3	PRINCIPLES.....	3
2	MESSAGE STRUCTURE CHART	4
3	BRANCHING DIAGRAM.....	5
4	SEGMENTS DESCRIPTION.....	6
5	SEGMENTS LAYOUT	7
6	EXAMPLE OF SELFBILLING INVOIC MESSAGE	24

1 THE SELFBILLING INVOIC MESSAGE

1 INTRODUCTION

This document provides the definition of an Invoice Message, based on the ODETTE INVOIC V3, to be used in Electronic Data Interchange (EDI) between a VALEO Operating Company and its Trading Partners.

This documentation is intended to be fully comprehensive and allows the implementation of the ODETTE SELFBILLING INVOIC without the necessity for any additional standard related documentation.

2 STATUS

MESSAGE TYPE	: INVOIC
REFERENCE DIRECTORY	: V3
VALEO SUBSET VERSION	: 01

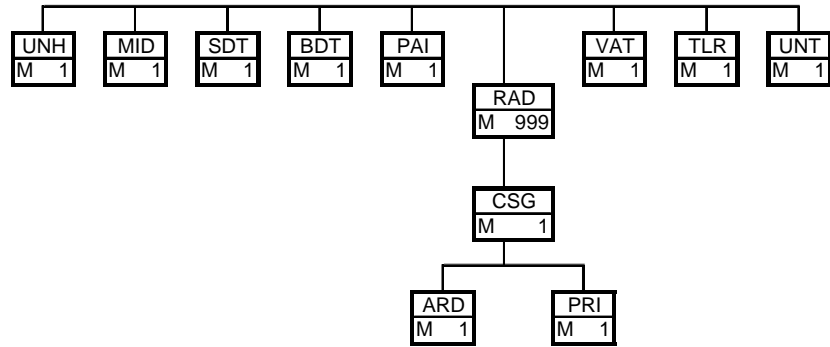
3 PRINCIPLES

The main message running rules are the following.

2 MESSAGE STRUCTURE CHART

UNH	M	1	MESSAGE HEADER
MID	M	1	Message Identification
SDT	M	1	Seller Details
BDT	M	1	Buyer Details
PAI	M	1	Payment Instructions
RAD	M	999	Reference to Despatch Advice
CSG	M	1	Consignor Details
ARD	M	1	Article Details
PRI	M	1	Price Details
VAT	M	1	Value Added Tax trailer
TLR	M	1	Transaction Trailer
UNT	M	1	MESSAGE TRAILER

3 BRANCHING DIAGRAM



4 SEGMENTS DESCRIPTION

UNH, Message header

A service segment starting and uniquely identifying a message.

Note: Selfbilling Invoice messages conforming to this document will contain the following data in segment UNH, composite S009:

Data element	0065	INVOIC
	0052	3
	0051	OD

MID, Message identification

This segment is used to give the reference number of the document and the date of its generation.

SDT, Seller details

To give details of the seller such as coded or uncoded name and address, contacts...

BDT, Buyer details

To give details of the buyer such as coded or uncoded name and address, contacts...

PAI, Payment instructions

To give instructions concerning the payment of the invoice. The invoice currency and if different the currency of payment may be precised here.

RAD, Reference to dispatch advice

To give the number of the dispatch advice accompanying the goods to which the invoice relates.

ARD, Article details

To identify an article.

PRI, Line item invoice price details

To give information regarding the price of the article referenced in the ARD segment. The unit price must be included as must be the item amount which is the total charge for this article including rebates and charges but excluding payment discount and VAT.

VAT, Value added tax Trailer

To provide VAT totals for each category/rate combination applicable to article or charges within the invoice. The amount subject to VAT must be included as must be the VAT rate and the VAT amount.

TLR, Transaction trailer

To provide invoice totals.

UNT, Message trailer

A service segment ending a message, giving the total number of segments in the message and the control reference number of the message.

5 SEGMENTS LAYOUT

This section describes each segment used in the VALEO message. The original ODETTE segment layout is listed. The appropriate comments relevant to the VALEO subset are indicated.

Notes:

1. The segments are presented in the sequence in which they appear in the message. The segment or segment group tag is followed by the **(M)andatory** / **(C)onditional** indicator, the maximum number of occurrences and the segment description. The conditional indicator may be completed by a **(R)required** when the segment is intended to be systematically used by VALEO for its business or transmission needs.
2. Reading from left to right, in column one, the data element tags and descriptions are shown, followed by in the second column the ODETTE status (M or C), the field format, and the picture of the data elements. These first pieces of information constitute the original ODETTE segment layout.

Following the ODETTE information, VALEO specific information is provided in the third and fourth columns. In the third column a status indicator for the use of (C)onditional ODETTE data elements (see 2.1 through 2.3 below), and in the fourth column notes and code values used for specific data elements in the message.

- 2.1 (M)andatory data elements in ODETTE segments retain their status in VALEO.
- 2.2 Additionally, there are two types of status for data elements with a (C)onditional ODETTE status, whether for simple, component or composite data elements. These are listed below and can be identified when relevant by the following abbreviations:
 - REQUIRED (**R**) : Indicates that the entity is required and must be sent.
 - NOT USED (**N**) : Indicates that the entity is not used and should be omitted.
- 2.3 If a composite is flagged as N, NOT USED, all data elements within that composite will have blank status indicators assigned to them.

UNH - M 1 - MESSAGE HEADER				
Function : To head, identify and specify a message.				
		ODETTE	VALEO	Description
0062	Message reference number	M an..14	M	Sender's unique message reference. Sequence number of messages in the interchange. DE0062 in the UNT will have the same value.
S009	MESSAGE IDENTIFIER	M	M	
0065	Message type identifier	M an..6	M	INVOIC = Invoice message
0052	Message type version number	M an..3	M	3
0054	Message type release number	C an..3	N	
0051	Controlling agency	C an..2	R	OD
0057	Association assigned code	C an..6	N	
0068	Common access reference	C an..35	N	
S010	STATUS OF THE TRANSFER	C	N	
0070	Sequence message transfer number	M n..2		
0073	First/last sequence message transfer Indication	C a1		
<p><u>Segment Notes.</u></p> <p>This segment is used to head, identify and specify a message. DE's 0065, 0052 and 0051: indicate that the message is based on a version 3 of the Invoice Odette message.</p> <p>Example : UNH+19508679+INVOIC:3::OD'</p>				

MID - M 1 - Message Identification				
Function : To give the reference number of the document and the date of its generation.				
		ODETTE	VALEO	Description
1004	Document/message number	M an..17	M	Invoice number
	Document date and time	M	M	
2007	Document date/code	M n6	M	Date of the message
2002	Time	C n4	R	Time of the message
4426	Authentication	C an..35	N	
<u>Segment Notes.</u>				
Example: MID+5105679763+071015:1722'				

SDT - M 1 - Seller Details				
Function		To give details of the seller such as coded or uncoded name and address, contacts...		
		ODETTE	VALEO	Description
	Seller	M	M	
3347	Seller, coded	C an..20	R	Odette code of the seller
3036	Party name	C an..35	R	Seller name, clear text
3124	Name and address line	C an..35	R	Address of the seller (street and number I)
3124	Name and address line	C an..35	R	Address of the seller (street and number II)
3124	Name and address line	C an..35	R	Address of the seller (postal code and town)
3124	Name and address line	C an..35	N	
3296	Internal Id. n° allocated by a partner	C an..17	R	VALEO internal number of the seller
	Commercial Department or Employee	C	N	
3413	Department or employee, coded	C an..17		
3412	Department or employee	C an..35		
3124	Name and address line	C an..35		
3124	Name and address line	C an..35		
3124	Name and address line	C an..35		
3124	Name and address line	C an..35		
	Accounting Department or Employee	C	N	
3413	Department or employee, coded	C an..17		
3412	Department or employee	C an..35		
3124	Name and address line	C an..35		
3124	Name and address line	C an..35		
3124	Name and address line	C an..35		
3124	Name and address line	C an..35		
3808	VAT registration number	C an..17	R	Seller VAT registration number
3207	Country, coded	C a2	R	ISO 3166 two alpha
	Contact Details	C	N	
3412	Department or employee, coded	C an..35		
3928	Telephone number	C an..17		
3929	Telephone extension	C an..17		
3927	Telex number	C an..17		

3926	Fax number	C an..17		
3930	Teletex number	C an..17		
<u>Segment Notes.</u> This segment is used to indicate the trading parties involved in the Invoicing process Example : SDT+0931403860968:JOHNSON CONTROLS AUTOMOTIVE EL:18 CHAUSSEE JULES CESAR, 46837:OSNY:95520::0000100794+++FR27017251067+FR'				

BDT - M 1 - Buyer Details				
Function		To give details of the buyer such as coded or uncoded name and address, contacts...		
		ODETTE	VALEO	Description
	Buyer	M	M	
3003	Buyer, coded	C an..20	R	Odette code of the buyer
3036	Party name	C an..35	R	Buyer name, clear text
3124	Name and address line	C an..35	R	Address of the buyer (street and number I)
3124	Name and address line	C an..35	R	Address of the buyer (street and number II)
3124	Name and address line	C an..35	R	Address of the buyer (postal code and town)
3124	Name and address line	C an..35	N	
3296	Internal Id. n° allocated by a partner	C an..17	N	
	Commercial Department or Employee	C	R	
3413	Department or employee, coded	C an..17	N	
3412	Department or employee	C an..35	R	
3124	Name and address line	C an..35	N	
3124	Name and address line	C an..35	N	
3124	Name and address line	C an..35	N	
3124	Name and address line	C an..35	N	
	Accounting Department or Employee	C	N	
3413	Department or employee, coded	C an..17		
3412	Department or employee	C an..35		
3124	Name and address line	C an..35		
3124	Name and address line	C an..35		
3124	Name and address line	C an..35		
3124	Name and address line	C an..35		
3808	VAT registration number	C an..17	R	Buyer VAT registration number
3207	Country, coded	C a2	R	ISO 3166 two alpha
	Contact Details	C	N	
3412	Department or employee, coded	C an..35		
3928	Telephone number	C an..17		
3929	Telephone extension	C an..17		
3927	Telex number	C an..17		

3926	Fax number	C an..17		
3930	Teletex number	C an..17		
<u>Segment Notes.</u> Example : BDT+0931342192044:VALEO SECURITE HABITACLE S.A.S.:4 QUAI DE LA JONCTION:NEVERS CEDEX:58004+++FR51403860968+FR'				

PAI - M 1- Payment Instructions				
Function		To give instructions concerning the payment of the invoice. The invoice currency and if different the currency of payment may be precised here.		
		ODETTE	VALEO	Description
6345	Currency, coded	M a3	M	Currency of the invoice
6181	Payment currency, coded	C a3	N	
	VAT Jurisdiction and Category	C	N	
3207	Country code	C a2		
5305	Duty/tax/fee category, coded	C an..3		
2221	Tax point date, coded	C n6	N	
2481	Payment due date, coded	C n6	N	
4439	Payment conditions, coded	C an..3	N	
4461	Payment means, coded	C an..2	N	
	Terms Time Information	C	N	
2475	Payment time reference code	M an..3		
2009	Time relation code	C n2		
2151	Type of period, coded	C an..3		
2152	Number of periods	C n..3		
	Terms of Payment	C	N	
4276	Terms of payment means	M an..35		
4276	Terms of payment means	C an..35		
4276	Terms of payment means	C an..35		
4276	Terms of payment means	C an..35		
4276	Terms of payment means	C an..35		
4276	Terms of payment means	C an..35		
4276	Terms of payment means	C an..35		
4276	Terms of payment means	C an..35		
4276	Terms of payment means	C an..35		

4276	Terms of payment means	C an..35		
<u>Segment Notes.</u> Example : PAI+EUR'				

RAD - M 999 - Reference to Dispatch Advice				
Function : To give the number of the dispatch advice accompanying the goods to which the invoice relates.				
		ODETTE	VALEO	Description
1004	Document/message number	M an..17	M	Reference number of the Dispatch Advice
	Document Date and Time	C	C	
2007	Document date/code	M n6	M	Date of the Dispatch Advice
2002	Time	C n4	N	
4426	Authentication	C an..35	N	
<u>Segment Notes.</u>				
Example : RAD+5500005635+071001'				

CSG - M 1 - Consignee Details				
Function :		To give details of the consignee such as coded or uncoded name and address, contacts and to provide delivery location details.		
		ODETTE	VALEO	Description
	Consignee	M	M	
3133	Consignee, coded	C an..20	R	Odette code of the VALEO plant
3036	Party name	C an..35	R	Name of the plant
3124	Name and address line	C an..35	R	Address of the consignee (street and number I)
3124	Name and address line	C an..35	R	Address of the consignee (street and number II)
3124	Name and address line	C an..35	R	Address of the consignee (postal code and town)
3124	Name and address line	C an..35	N	
3296	Internal Id. n° allocated by a partner	C an..17	N	
	Final Delivery Point	C	N	
3921	Final Delivery Point, coded	C an..17		
3920	Final delivery point	C an..35		
3124	Name and address line	C an..35		
3124	Name and address line	C an..35		
3124	Name and address line	C an..35		
3124	Name and address line	C an..35		
	Additional Destination Details	C	N	
3923	Additional Destination Details, coded	C an..17		
3922	Additional destination Details	C an..35		
3124	Name and address line	C an..35		
3124	Name and address line	C an..35		
3124	Name and address line	C an..35		
3124	Name and address line	C an..35		
3207	Country, coded	C a2	R	ISO 3166 two alpha
	Contact Details	C	N	
3412	Department or employee, coded	C an..35		
3928	Telephone number	C an..17		
3929	Telephone extension	C an..17		
3927	Telex number	C an..17		
3926	Fax number	C an..17		
3930	Teletex number	C an..17		

Segment Notes.

Example :

CSG+0931342192044:VALEO SECURITE HABITACLE S.A.S:4, QUAI DE LA JONCTION:NEVERS
CEDEX:58004+++FR'

ARD - M 1 - Article Details				
Function : To identify an article.				
		ODETTE	VALEO	Description
	Article Identification	M	M	
7304	Buyer's article number	M an..35	M	VALEO codification of the article
7194	Seller's article number	C an..35	R	Seller's article number
7008	Item description	C an..35	R	Description in clear text
7008	Item description	C an..35	N	
7008	Item description	C an..35	N	
7008	Item description	C an..35	N	
7008	Item description	C an..35	N	
	Quantity and Unit	M	M	
6270	Quantity delivered	M n..10	M	Quantity invoiced
6410	Measure unit qualifier	C an..3	R	Unit of measure
	Order or Contact Identification	C	R	
1022	Order number	C an..17	R	VALEO order number
2001	Order date	C n6	R	
	Country of Origin	C	N	
3239	Country of origin , coded	C a2		
3238	Country of origin	C an..17		
	Free text	C	N	
4440	Text	M an..70		
4440	Text	C an..70		
4440	Text	C an..70		
	Technical Status	C	N	
7860	Design revision number	C an..35		
1376	Engineering change number	C an..17		
2001	Date	C n6		
<u>Segment Notes.</u>				
Example :				
ARD+N0502069::TETE DE CLE J77 3 BOUTONS+150:PCE+BL85225'				

PRI - M 1- Line Item Invoice Price Details				
Function :		To give information regarding the price of the article referenced in the ARD segment. The unit price must be included as must be the item amount which is the total charge for this article including rebates and charges but excluding payment discount and VAT.		
		ODETTE	VALEO	Description
	Price per Unit	M	M	
5110	Unit price	M n..15	M	Net unit price after rebates or charges but before discount and VAT
5284	Unit price basis	C n..9	R	
6410	Measure unit specification	C an..3	R	
5116	Item amount	M n..15	M	Price of the line item
5806	Gross unit price	C n..11	N	
	Rebate / Addition	C	N	
5424	Allowance/charge percentage	M n..7		
5424	Allowance/charge percentage	C n..7		
5424	Allowance/charge percentage	C n..7		
5056	Payment discount	C n..10		
5122	Value added tax rate	C n..7	R	
	VAT Jurisdiction and Category	C	N	
3207	Country, coded	C a2		
5305	Duty/tax/fee category, coded	C an..3		
5490	Value added tax amount	C n..15		
<u>Segment Notes.</u>				
Example : PRI+4067.00:1000:PCE+610.05++++19.60'				

VAT - M 1 - Value Added Tax Trailer				
Function		: To provide VAT totals for each category/rate combination applicable to article or charges within the invoice. The amount subject to VAT must be included as must be the VAT rate and the VAT amount.		
		ODETTE	VALEO	Description
5338	Amount subject to tax	M n..15	M	After payment discount if any
5122	Value added tax rate	M n..7	M	Give the percentage
5490	Value added tax amount	M n..15	M	
	VAT Jurisdiction and Category	C	N	
3207	Country, coded	C a2		
5305	Duty/tax/fee category, coded	C an..3		
<u>Segment Notes.</u>				
Example :				
VAT+20248.95+19.60+3968.79'				

TLR - M 1 - Transaction Trailer				
Function : To provide invoice totals.				
		ODETTE	VALEO	Description
5214	Article items total	M n..15	M	Excluding VAT/tax
5068	Invoice amount	M n..15	M	Including VAT/tax
5338	Amount subject to tax	C n..15	N	
5490	Value added tax amount	C n..15	D	To be filled if VAT/tax is applicable
5140	Invoice additional amount	C n..15	N	
5454	Payment discount amount	C n..15	N	
<u>Segment Notes.</u> Example : TLR+20248.95+24217.74++3968.79'				

UNT - M 1 - MESSAGE TRAILER				
Function : To end and check the completeness of a message.				
		ODETTE	VALEO	Description
0074	Number of segments in a message	M n..6	M	The total number of segments in the message is detailed here.
0062	Message reference number	M an..14	M	The message reference number detailed here should equal the one specified in the UNH segment.
<p><u>Segment Notes.</u> This segment is a mandatory UN/ODETTE segment. It must always be the last segment in the message.</p> <p>Example : UNT+16+1'</p>				

6 EXAMPLE OF SELFBILLING INVOIC MESSAGE

UNH+19508679+INVOIC:3::OD'	Message header
MID+5105679763+071015:1722'	The message number is 5105679763 and the message was issued the 15 th of October 2007 at 05:22 pm.
SDT+0931403860968:JOHNSON CONTROLS AUTOMOTIVE EL:18 CHAUSSEE JULES CESAR, 46837:OSNY:95520::0000100794+++FR2701725106 7+FR'	The seller is identified by its Odette code, the VALEO internal number, its VAT registration number and its name and address.
BDT+0931342192044:VALEO SECURITE HABITACLE S.A.S.:4 QUAI DE LA JONCTION:NEVERS CEDEX:58004+++FR51403860968+FR'	The buyer is identified by its Odette code, its registration number and completed by a contact name.
PAI+EUR'	The currency of the invoice is the Euro
RAD+5500005635'	Reference is made to DN 5500005635
CSG+0931342192044:VALEO SECURITE HABITACLE S.A.S.:4, QUAI DE LA JONCTION:NEVERS CEDEX:58004+++FR'	The consignee is identified by its Odette code and completed by a contact name.
ARD+N0502069::TETE DE CLE J77 3 BOUTONS+150:PCE+BL85225'	The article invoiced is the VALEO article number N0502069 and the qty is 150 pieces.
PRI+4067.00:1000:PCE+610.05++++19.60'	The unit price of the article is 4067.00 Euro and the total line item amount is 610.05 Euro.
RAD+5500005636'	Reference is made to DN 5500005636
CSG+0931342192044:VALEO SECURITE HABITACLE S.A.S.:4, QUAI DE LA JONCTION:NEVERS CEDEX:58004+++FR'	The consignee is identified by its Odette code and completed by a contact name.
ARD+N0502070::TETE DE CLE J77 2 BOUTONS+100:PCE+BL85225'	The article invoiced is the VALEO article number N0502069 and the qty is 100 pieces.
PRI+3966.00:1000:PCE+396.6++++19.60'	The unit price of the article is 3966.00 Euro and the total line item amount is 396.6 Euro.
VAT+1006.65+19.6+197.30'	Taxes applicable to the articles.
TLR+1006.65+1203.95++197.30'	Totals of the invoice.
UNT+15+1'	End of message.

END OF DOCUMENT
