



## **EDI IMPLEMENTATION GUIDELINES**

### **KANBAN ODETTE V2**



---

# SOMMAIRE

- 1 THE KANBAN MESSAGE..... 3**
  - 1.1 INTRODUCTION..... 3
  - 1.2 STATUS..... 3
  - 1.3 PRINCIPLES ..... 3
- 2 MESSAGE STRUCTURE CHART ..... 4**
- 3 BRANCHING DIAGRAM ..... 5**
- 4 SEGMENTS DESCRIPTION..... 6**
- 5 SEGMENTS LAYOUT..... 7**
- 6 EXAMPLE OF KANBAN MESSAGE..... 17**

---

1 THE KANBAN MESSAGE
----------------------

---

## 1.1 INTRODUCTION

This document provides the definition of a Delivery Instruction Message, based on the ODETTE KANBAN V2, to be used in Electronic Data Interchange (EDI) between a VALEO Operating Company and its Trading Partners.

This documentation is intended to be fully comprehensive and allows the implementation of the ODETTE KANBAN without the necessity for any additional standard related documentation.

## 1.2 STATUS

MESSAGE TYPE	: KANBAN
REFERENCE DIRECTORY	: V2
VALEO SUBSET VERSION	: 01

## 1.3 PRINCIPLES

The main message running rules are the following.

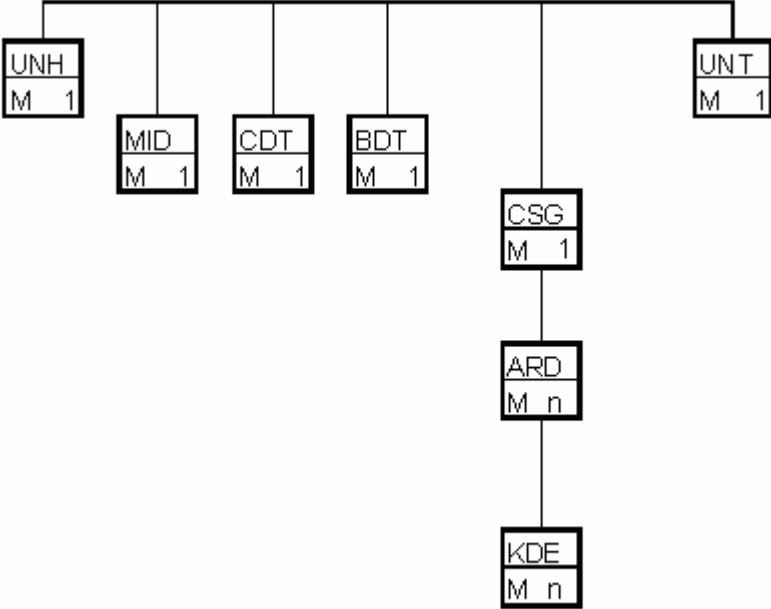
---

2      MESSAGE STRUCTURE CHART
--------------------------------

---

UNH	1	M	1	MESSAGE HEADER
MID	2	M	1	Message Identification
CDT	3	M	1	Consignor Details
BDT	4	M	1	Buyer Details
CSG	5	M	1	Consignor Details
ARD	6	M	999	Article Details
KDE	7	M	999	Kanban Details
UNT	8	M	1	MESSAGE TRAILER

3 BRANCHING DIAGRAM



---

<b>4      SEGMENTS DESCRIPTION</b>
------------------------------------

---

**UNH - M 1 - MESSAGE HEADER**

This segment is used to head, identify and specify a message.

**MID - M 1 - Message Identification**

This segment is used to give the reference number of the document and the date of its generation.

**CDT - M 1 - Consignor Details**

To give details of the consignor such as coded or uncoded name and address, contacts...

**BDT - M 1 - Buyer Details**

To give details of the buyer such as coded or uncoded name and address, contacts...

**CSG - M 1 – Consignee Details**

To give details of the consignee such as coded or uncoded name and address, contacts and to provide delivery location details.

**ARD - M 999 – Article Details**

To identify an article.

**KDE - M 999 – KANBAN Delivery Details**

To give information relating to the actual KANBAN signal for the article identified in the ARD segment.

**UNT - M 1 - MESSAGE TRAILER**

This segment is a mandatory UN/ODETTE segment. It must always be the last segment in the message.

## 5 SEGMENTS LAYOUT

This section describes each segment used in the VALEO Needs Expression message. The original ODETTE segment layout is listed. The appropriate comments relevant to the VALEO subset are indicated.

### Notes:

1. The segments are presented in the sequence in which they appear in the message. The segment or segment group tag is followed by the **(M)andatory** / **(C)onditional** indicator, the maximum number of occurrences and the segment description. The conditional indicator may be completed by a **(R)equired** when the segment is intended to be systematically used by VALEO for its business or transmission needs.
2. Reading from left to right, in column one, the data element tags and descriptions are shown, followed by in the second column the ODETTE status (M or C), the field format, and the picture of the data elements. These first pieces of information constitute the original ODETTE segment layout.

Following the ODETTE information, VALEO specific information is provided in the third and fourth columns. In the third column a status indicator for the use of (C)onditional ODETTE data elements (see 2.1 through 2.3 below), and in the fourth column notes and code values used for specific data elements in the message.

- 2.1 (M)andatory data elements in ODETTE segments retain their status in VALEO.
- 2.2 Additionally, there are two types of status for data elements with a (C)onditional ODETTE status, whether for simple, component or composite data elements. These are listed below and can be identified when relevant by the following abbreviations:
  - REQUIRED **(R)** : Indicates that the entity is required and must be sent.
  - NOT USED **(N)** : Indicates that the entity is not used and should be omitted.
- 2.3 If a composite is flagged as N, NOT USED, all data elements within that composite will have blank status indicators assigned to them.

<b>UNH - M                    1 - MESSAGE HEADER</b>				
Function                    :            To head, identify and specify a message.				
Segment number        :            1				
		ODETTE	VALEO	Description
<b>0062</b>	<b>Message reference number</b>	M an..14	M	Sender's unique message reference. Sequence number of messages in the interchange. DE0062 in the UNT will have the same value.
<b>S009</b>	<b>MESSAGE IDENTIFIER</b>	M	M	
<b>0065</b>	<b>Message type identifier</b>	M an..6	M	KANBAN
<b>0052</b>	<b>Message type version number</b>	M an..3	M	2
0054	Message type release number	C an..3	N	
<b>0051</b>	<b>Controlling agency</b>	C an..2	R	OD
0057	Association assigned code	C an..6	N	
0068	Common access reference	C an..35	N	
<b>S010</b>	<b>STATUS OF THE TRANSFER</b>	C	N	
0070	Sequence message transfer number	M n..2		
0073	First/last sequence message transfer Indication	C a1		
<u>Segment Notes.</u>				
This segment is used to head, identify and specify a message.				
DE's 0065, 0052 and 0051: indicate that the message is based on a version 2 of the KANBAN Odette message.				
Example :				
UNH+1+KANBAN:2::OD'				

<b>MID - M                    1 - Message Identification</b>				
Function                    :                    To give the reference number of the document and the date of its generation.				
Segment number        :                    2				
		ODETTE	VALEO	Description
<b>1004</b>	<b>Document/message number</b>	M an..17	M	Delivery schedule number assigned by VALEO
	<b>Document date and time</b>	C	R	
<b>2007</b>	<b>Document date/code</b>	M n6	M	Date of the message
<b>2002</b>	<b>Time</b>	C n4	R	Time of the message
4426	Authentication	C an..35	N	
<u>Segment Notes.</u>				
Example: MID+0000001266+040331:0001'				

CDT - M		1 - Consignor Details		
Function	:	To give details of the consignor such as coded or uncoded name and address, contacts...		
Segment number	:	3		
		ODETTE	VALEO	Description
	<b>Consignor</b>	M	M	
3337	Consignor, coded	C an..20	N	
3036	Party name	C an..35	N	
3124	Name and address line	C an..35	N	
3124	Name and address line	C an..35	N	
3124	Name and address line	C an..35	N	
3124	Name and address line	C an..35	N	
<b>3296</b>	<b>Internal Id. n° allocated by a partner</b>	C an..17	R	VALEO internal number of the Consignor
	Consignor Department or Employee	C	N	
3413	Department or employee, coded	C an..17		
3412	Department or employee	C an..35		
3124	Name and address line	C an..35		
3124	Name and address line	C an..35		
3124	Name and address line	C an..35		
3124	Name and address line	C an..35		
3207	Country coded	C a2	N	
	Contact Details	C	N	
3412	Department or employee, coded	C an..35		
3928	Telephone number	C an..17		
3929	Telephone extension	C an..17		
3927	Telex number	C an..17		
3926	Fax number	C an..17		
3930	Teletex number	C an..17		
<u>Segment Notes.</u>				
This segment is used to indicate the trading parties involved in the KANBAN process. Identification of buyer and consignor is mandatory in the KANBAN message.				
Example :				
CDT+:::2474'				

<b>BDT - M                    1 - Buyer Details</b>				
Function		: To give details of the buyer such as coded or uncoded name and address, contacts...		
Segment number		: 4		
		ODETTE	VALEO	Description
	<b>Buyer</b>	M	M	
<b>3003</b>	<b>Buyer, coded</b>	C an..20	R	Odette code of the buyer
3036	Party name	C an..35	N	
3124	Name and address line	C an..35	N	
3124	Name and address line	C an..35	N	
3124	Name and address line	C an..35	N	
3124	Name and address line	C an..35	N	
3124	Name and address line	C an..35	N	
3296	Internal Id. n° allocated by a partner	C an..17	N	
	Commercial Department or Employee	C	N	
3413	Department or employee, coded	C an..17		
3412	Department or employee	C an..35		
3124	Name and address line	C an..35		
3124	Name and address line	C an..35		
3124	Name and address line	C an..35		
3124	Name and address line	C an..35		
3124	Name and address line	C an..35		
	Accounting Department or Employee	C	N	
3413	Department or employee, coded	C an..17		
3412	Department or employee	C an..35		
3124	Name and address line	C an..35		
3124	Name and address line	C an..35		
3124	Name and address line	C an..35		
3124	Name and address line	C an..35		
3808	VAT registration number	C an..17	N	
3207	Country, coded	C a2	N	
	Contact Details	C	N	
3412	Department or employee, coded	C an..35		
3928	Telephone number	C an..17		
3929	Telephone extension	C an..17		
3927	Telex number	C an..17		
3926	Fax number	C an..17		
3930	Teletex number	C an..17		
<u>Segment Notes.</u>				
Example :				
BDT+0931955500293'				

CSG - M		1 - Consignee Details		
Function	:	To give details of the consignee such as coded or uncoded name and address, contacts and to provide delivery location details.		
Segment number	:	5		
		ODETTE	VALEO	Description
	<b>Consignee</b>	M	M	
<b>3133</b>	<b>Consignee, coded</b>	C an..20	R	Odette code of the VALEO plant
3036	Party name	C an..35	N	
3124	Name and address line	C an..35	N	
3124	Name and address line	C an..35	N	
3124	Name and address line	C an..35	N	
3124	Name and address line	C an..35	N	
3124	Name and address line	C an..35	N	
3296	Internal Id. n° allocated by a partner	C an..17	N	
	<b>Final Delivery Point</b>	C	R	
<b>3921</b>	<b>Final Delivery Point, coded</b>	C an..17	R	VALEO code of unloading point
3920	Final delivery point	C an..35	N	
3124	Name and address line	C an..35	N	
3124	Name and address line	C an..35	N	
3124	Name and address line	C an..35	N	
3124	Name and address line	C an..35	N	
	Additional Destination Details	C	N	
3923	Additional Destination Details, coded	C an..17		
3922	Additional destination details	C an..35		
3124	Name and address line	C an..35		
3124	Name and address line	C an..35		
3124	Name and address line	C an..35		
3124	Name and address line	C an..35		
3207	Country, coded	C a2	N	
	Contact Details	C	N	
3412	Department or employee, coded	C an..35		
3928	Telephone number	C an..17		
3929	Telephone extension	C an..17		
3927	Telex number	C an..17		
3926	Fax number	C an..17		
3930	Teletex number	C an..17		

Segment Notes.

Example :  
CSG+0931955500293+I'

ARD - M 999 - Article Details				
Function :		To identify a article.		
Segment number :		6		
		ODETTE	VALEO	Description
	<b>Article Identification</b>	M	M	
<b>7304</b>	<b>Buyer's article number</b>	M an..35	M	VALEO codification of the article
7194	Seller's article number	C an..35	N	
7008	Item description	C an..35	N	
7008	Item description	C an..35	N	
7008	Item description	C an..35	N	
7008	Item description	C an..35	N	
7008	Item description	C an..35	N	
	Quantity and Unit	C	N	
6270	Quantity delivered	O n..10		
6410	Measure unit qualifier	O an..3		
	Order or Contract Identification	C	N	
1022	Order number	M an..17		
2001	Order date	C n6		
	Country of Origin	C	N	
3239	Country of origin , coded	C a2		
3238	Country of origin	C an..17		
	Free Text	C	N	
4440	Text	M an..35		
4440	Text	C an..35		
4440	Text	C an..35		
	Technical Status	C	N	
7860	Design revision number	C an..35		
1376	Engineering change number	C an..17		
2001	Date	C n6		
<u>Segment Notes.</u>				
Example : ARD+190569'				

<b>KDE - M            999 - KANBAN Delivery Details</b>				
Function		:            To give information relating to the actual KANBAN signal for the article identified in the ARD segment		
Segment number		:            7		
		ODETTE	VALEO	Description
	<b>Number</b>	M	M	
1420	KANBAN Card number	C an..3	N	
<b>1438</b>	<b>Buyer's package Id. number</b>	C an..9	R	
	<b>Quantity</b>	M	M	
<b>6853</b>	<b>Quantity of article in package</b>	M n..10	M	
6410	Measure unit specification	C an..3	N	
	Package Data	C	N	
7064	Type of package	C an..35		
1906	Package reference number	C an..35		
1131	Code list identifier	C an2		
	<b>Date and Time</b>	C	R	
<b>2001</b>	<b>Date</b>	M n6	M	
<b>2002</b>	<b>Time</b>	C n4	R	
<u>Segment Notes.</u>				
Example : KDE+:492+1600++040402:2057'				

<b>UNT - M                    1 - MESSAGE TRAILER</b>				
Function                    :            To end and check the completeness of a message.				
Segment number        :            8				
		ODETTE	VALEO	Description
<b>0074</b>	<b>Number of segments in a message</b>	M n..6	M	The total number of segments in the message is detailed here.
<b>0062</b>	<b>Message reference number</b>	M an..14	M	The message reference number detailed here should equal the one specified in the UNH segment.
<u>Segment Notes.</u>				
This segment is a mandatory UN/ODETTE segment. It must always be the last segment in the message.				
Example :				
UNT+10+1'				

6 EXAMPLE OF KANBAN MESSAGE

UNH+1+KANBAN:2::OD'	Message header
MID+0000001266+040331:0001'	The message number is 0000001266 and the message was issued the 31st .March 2004 at 00h01
CDT+:::2474'	The Consignor is identified by the VALEO internal number and its name and address.
BDT+0931955500293'	The buyer is identified by its Odette code and completed by a contact name.
CSG+0931955500293+I'	The consignee is identified by its Odette code. The place of discharge is the I.
ARD+190569'	The article to be delivered is the VALEO article number 190569
KDE+:336+3840++040402:1648'	It must be delivered the 2nd April 2004 with the call id. number 336
ARD+192209'	The article to be delivered is the VALEO article number 192209
KDE+:492+1600++040402:2057'	It must be delivered the 2nd April 2004 with the call id. number 492
UNT+10+1'	End of message

\*\*\*\*\*  
END OF DOCUMENT  
\*\*\*\*\*